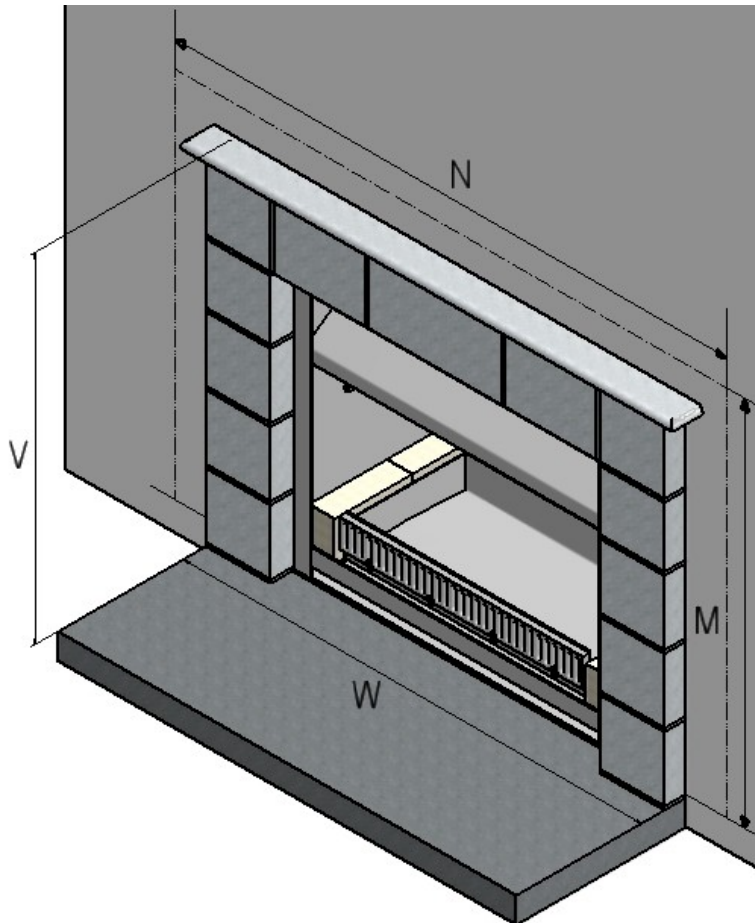


WARMINGTON—No Facia Kit Installation

Open Fire - Wood Burner For All Warmington SI Fires



**NOTE : Show installation for SI General single sided fire.
For All Warmington SI Fires—SI General— SI Twin— Trad's—Corner—Retro**

Visit www.warmington.co.nz for Spec's, DWG's and PDF uploads of Fires

Fire, Flue System and Instructions to Comply with AS/NZS 2918:2001

Keep these Instructions for further reference.....Ensure that you have the correct and current Installation details for the Warmington Fire

Installation

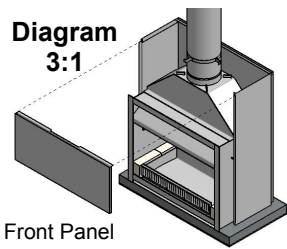
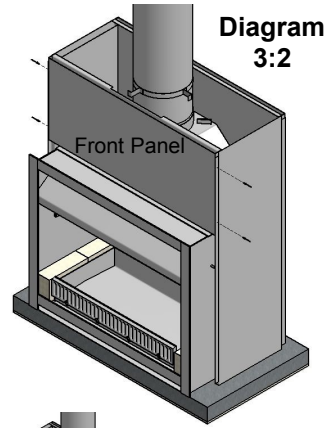
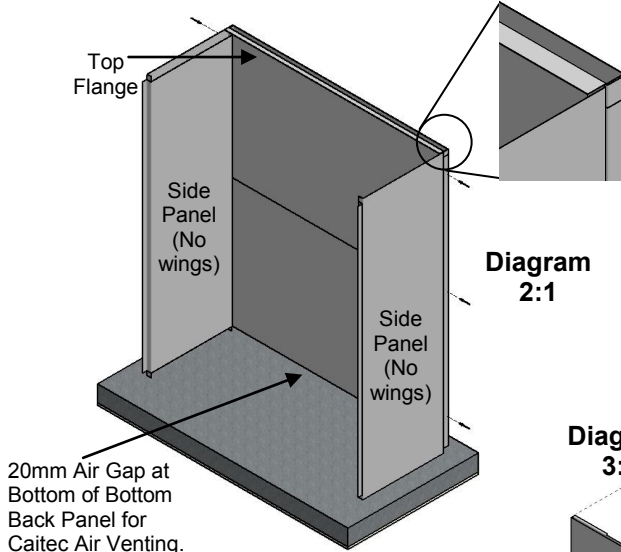
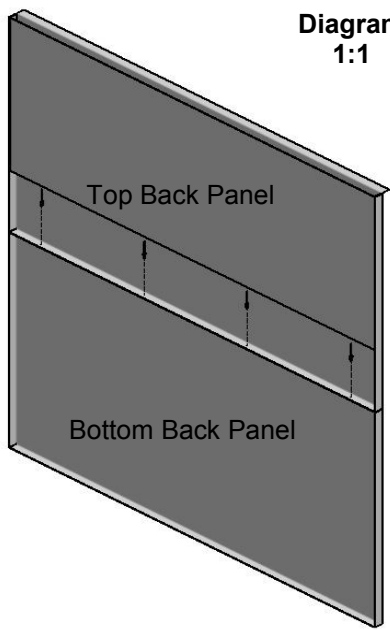
The Warmington unit is to be Installed by a Certified Warmington Installer or an Approved NZHHA Installation Technician.
See www.homeheat.co.nz/members for a Certified NZHHA SFAIT Installer in your area .

IMPORTANT

Read all the Instructions carefully before commencing the Installation. Failure to follow these instructions may result in a fire hazard and void the warranty

Due to continued product improvement, Warmington Ltd reserves the right to change product specifications without prior notification.

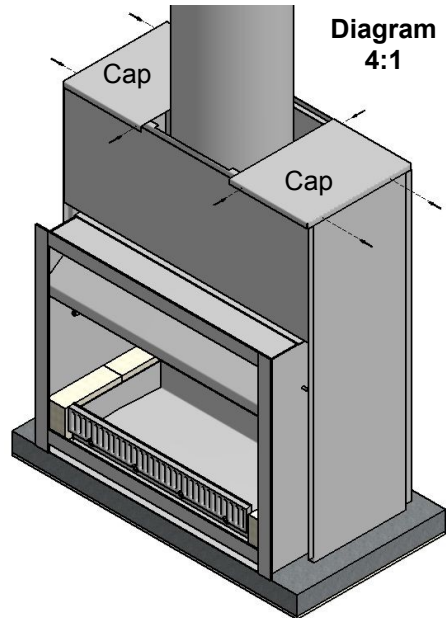
HEAT SHIELD ASSEMBLY - FOR INSTALLATION INTO FRAMING & MASONRY (NO FASCIA KIT)



Step 1 :
 Assemble Top & Bottom Back Panel together by Riveting together at the centre as shown in diagram 1:1 . The Top Back Panel has a double Shield layer at the Top .

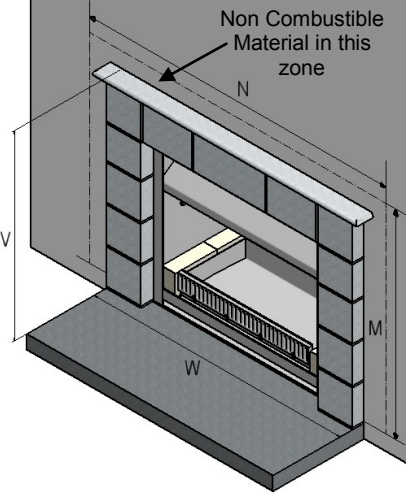
Step 2 :
 Rivet 2X Side Panels to pre assembled Back Panels as shown in 2:1 , ensure the Top Flange on the Back Panel sits on the Side Panels creating a 20mm Air Gap at the bottom for the Caitec Air Venting .

Step 3 :
 Install Firebox etc & assemble Front Panel to Heatshield as shown in diagram 3:1 & secure in place by riveting as shown in 3:1

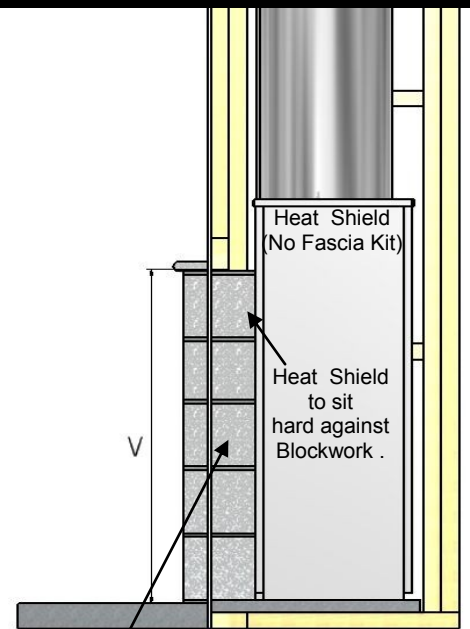


Step 4 :
 Assemble Top Caps to Heatshield & secure in place with rivets as shown in diagram 4:1

Frameout Clearances		
Firebox	V	W
SI 440	825	820
SI 600	825	820
SI 700	825	1000
SI 700T	875	1000
SI 780	825	1000
SI 780T	905	1000
SI 900	975	1100
SI 1100	1025	1350



NO FASCIA KIT INSTALLATION



Must be Constructed of Non Combustible Material eg :
 * Stone
 * Concrete
 * Hebel
 * Blocks

Due to continued product improvement, Warmington Ind LTD reserves the right to change product specifications without prior notification.