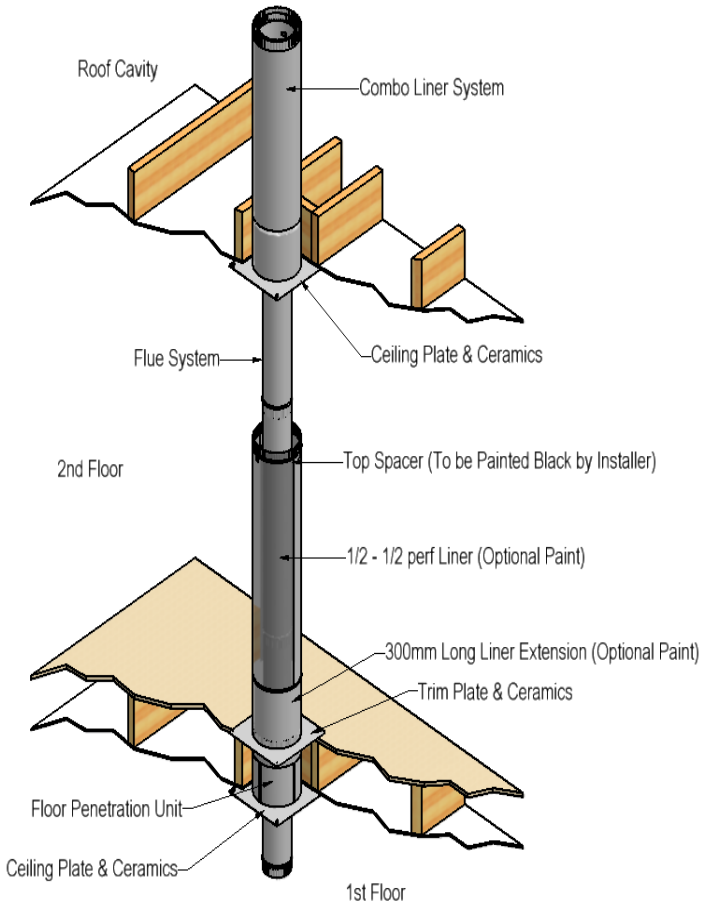


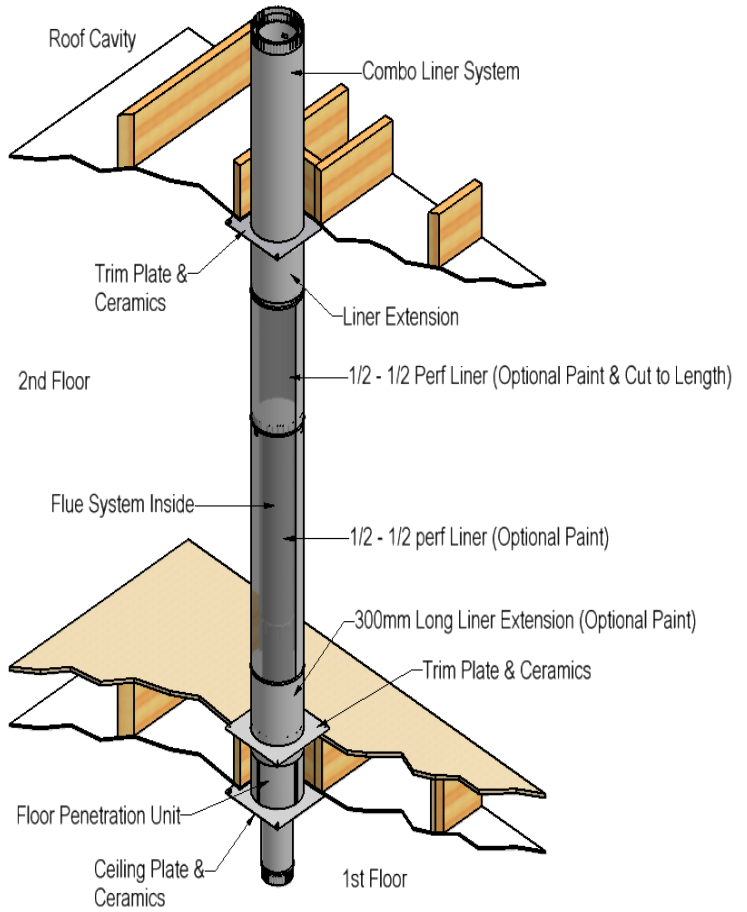
Two Storey Solid Fuel 150dia Flue Kit

2 Storey Flue Kit—Free Standing Components and Installation Guide Only

FLUE KIT OPTION 1



FLUE KIT OPTION 2



Effective From 1st September 2005 Tested to ASNZS 2918:2001

Visit www.warmington.co.nz for Spec's, DWG's and PDF uploads of fires

Flue system and instructions to comply with ASNZS 2918:2001

Keep these Instructions for further reference.....Ensure that you have the correct and current installation details for the Warmington Fire

Installation

The Warmington unit is to be installed by a certified Warmington installer or an Approved NZHHA Installation Technician.

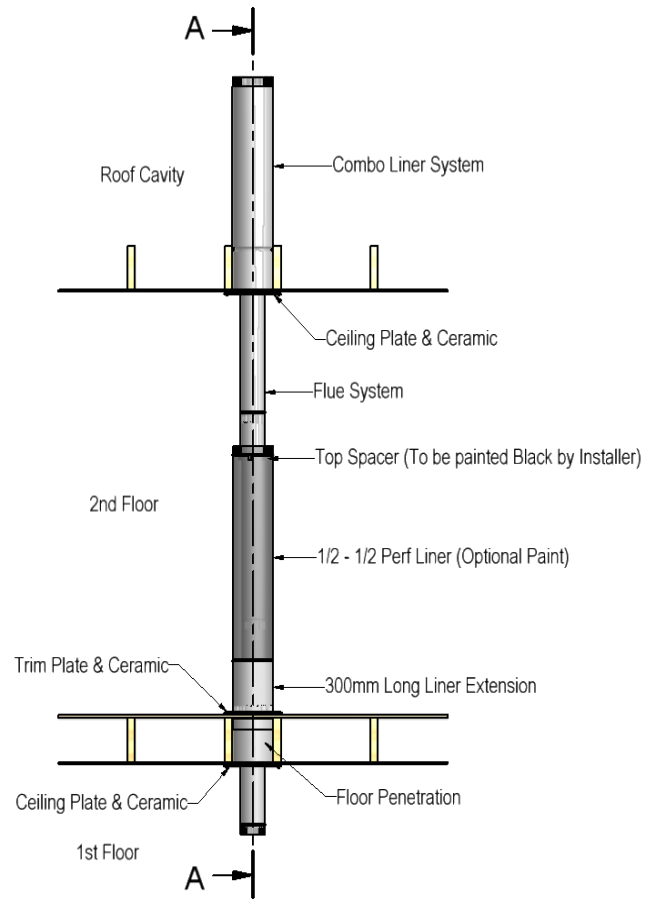
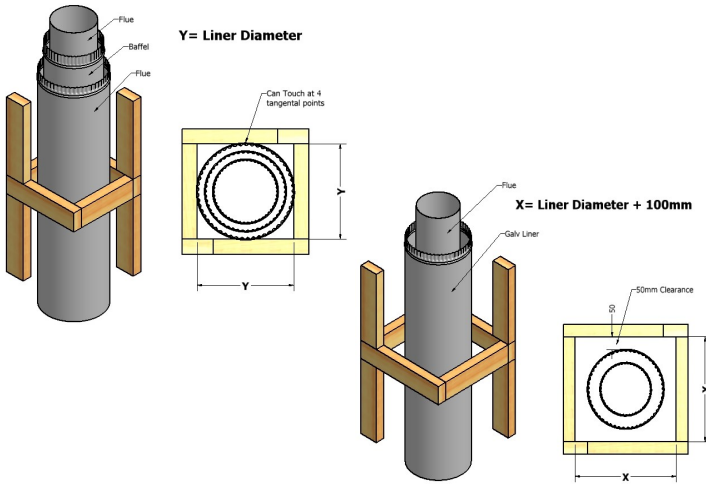
IMPORTANT

Read all the instructions carefully before commencing the Installation. Failure to follow these instructions may result in a fire hazard and void the warranty

Minimum Flue Height	
Flue Height	3600
Measured From Top of Fire	C + 3600

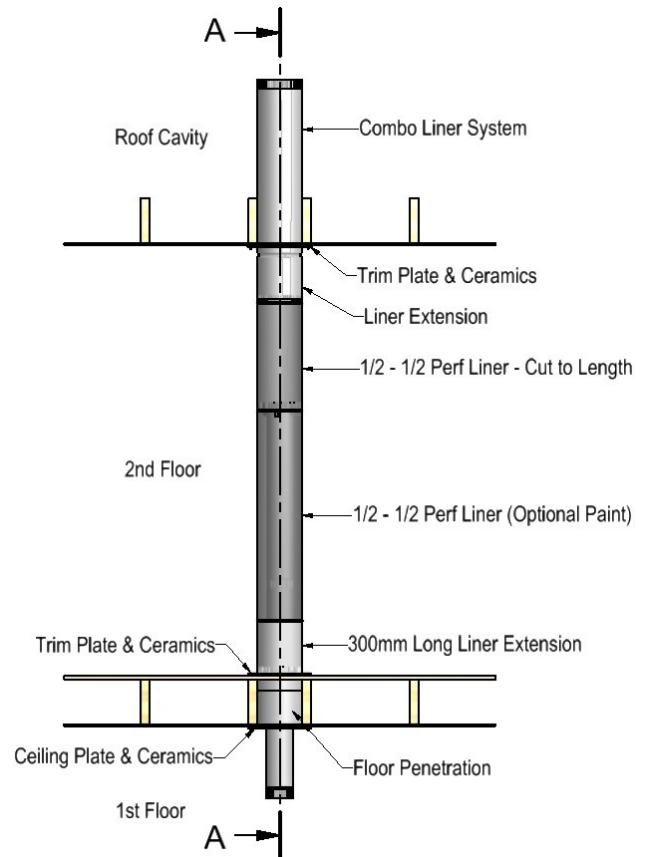
FLUEKIT OPTION 1

2 Storey Flue System 1 Details	No:	150-250dia
2nd Storey Spacer (top of Perf.)	1	150/250
Liner Diameter 600MM Slip	1	250
Flue Diameter S/S	3	150
Flue Diameter Hi Therm Black	2	150
Combo 200/250dia 1200MM Galv	1	200/250
Floor Penetration Kit 300MM Galv	1	200/250
Perforated Liner 1/2 & 1/2	1	250
Ceiling Plate	2	150
Floor Trim Plate	1	250
Ceramics	8	



FLUEKIT OPTION 2

2 Storey Flue System 2 Details	No:	150-250dia
2nd Storey Spacer (top of Perf.)	1	150/250
Liner Diameter 600MM Slip	1	250
Flue Diameter S/S	3	150
Flue Diameter Hi Therm Black	2	150
Combo 200/250dia X 1200MM Galv	1	200/250
Floor Penetration Kit X 300MM Galv (Ext)	1	200/250
Perforated Liners 1200MM Length	2	250
Ceiling Plate	1	150
Floor Trim Plate	2	250
Ceramics	8	



NOTE:
Ensure that a Standard Tested Warmington Flue system is used on the Warmington fires.