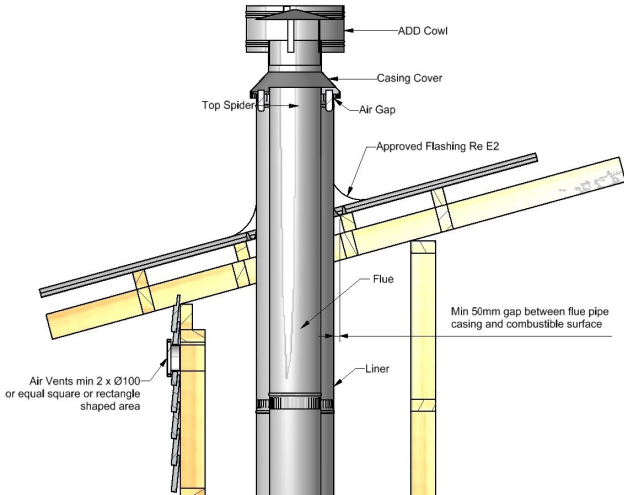


Solid Fuel Flue Kit Roof Penetrations

Installation Guide Only

FLUE PENETRATION Vented through Alcove (Single lined Flue System)



All External Air Vents and Ceiling Penetrations are to be Vermin and Rodent Proof.

Note:

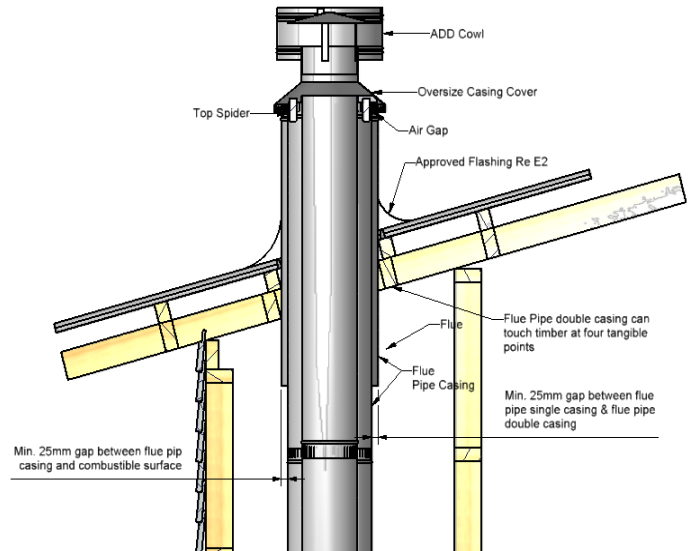
External Requirements
 Refer to AS/NZS2918:2001 4.9.1/ NZS5262/5261:2003
 Install Flue System to AS/NZS2918:2001/
 5262/5261:2003

When using a Rubber or Bitumen Flashing (Butynol, Dektite) an Additional Flue Pipe Baffle is required.

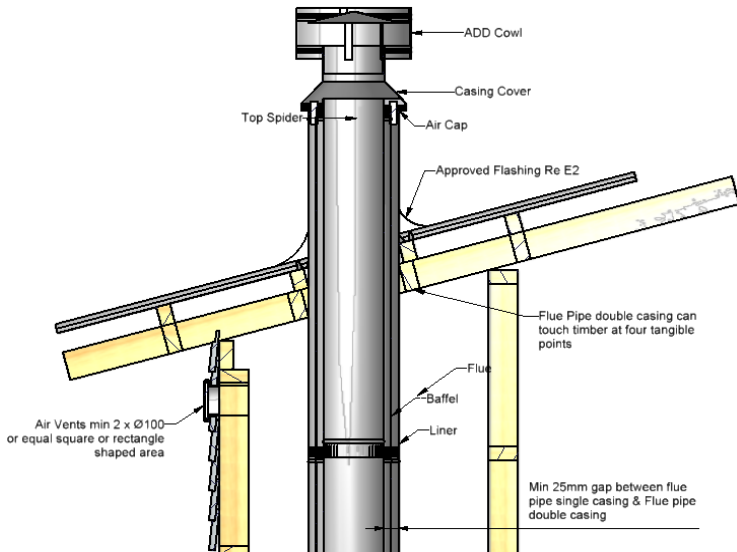
All External Air Vents & Ceiling Penetrations must be bird proofed with permanently fixed screens.

All Flashing to comply with E2.

FLUE PENETRATION Vented through Top Flashing



FLUE PENETRATION Vented through Alcove (Double lined Flue System)



Test Report Number	Date of Report
04/1039	20 th July 2004
04/1040	20 th July 2004
04/1041	20 th July 2004

Effective From 1st September 2005 Tested to ASNZS 2918:2001

Visit www.warmington.co.nz for Spec's, DWG's and PDF uploads of fires

Flue System and Instructions to Comply with ASNZS 2918:2001

Keep these Instructions for further reference.....Ensure that you have the correct and current installation details for the Warmington Fire

Installation

The Warmington unit is to be Installed by a Certified Warmington Installer or a Certified NZHHA SFAIT Installation Technician .

IMPORTANT
 Read all the instructions carefully before commencing the Installation. Failure to follow these instructions may result in a fire hazard and void the warranty

See www.homeheat.co.nz/members for a Certified NZHHA SFAIT Installer in your area .
 Due to continued product improvement, Warmington Ind LTD reserves the right to change product specifications without prior notification.