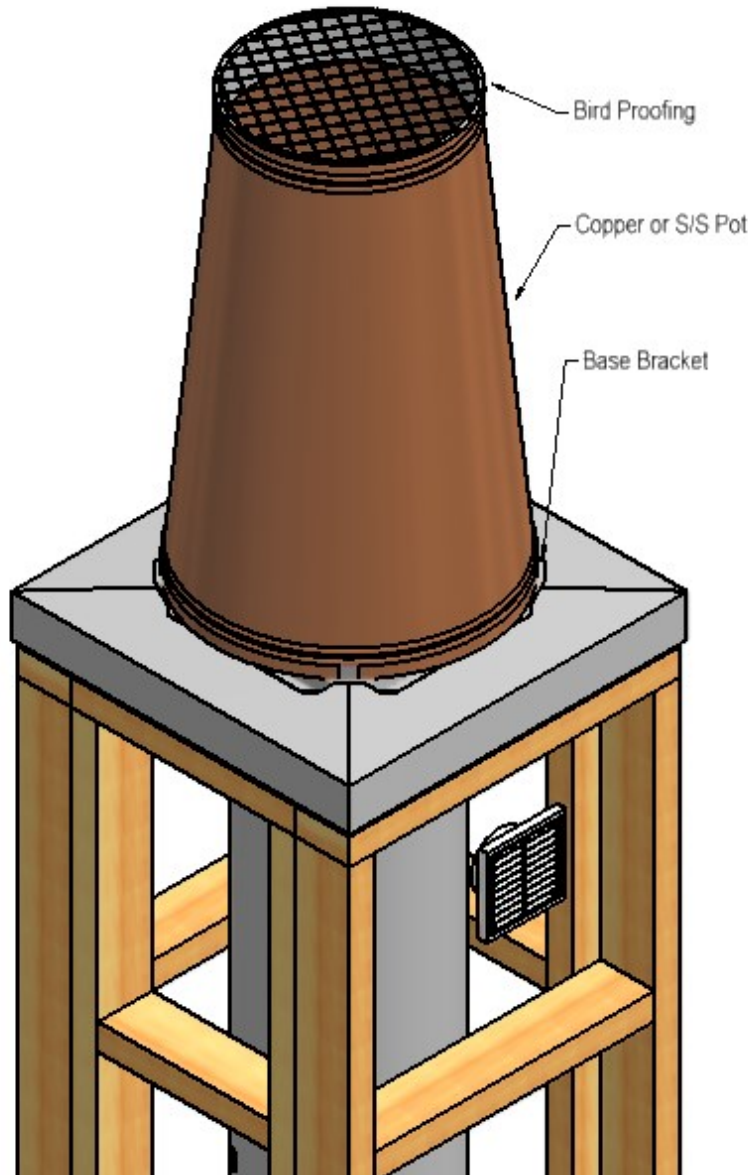


Copper & S/S Pot & Flashing System Specification

Copper & S/S Pot & Flashing System Installation Instructions



Visit www.warmington.co.nz for Spec's, DWG's and PDF uploads of fires

Fire , Flue System and Instructions to Comply with ASNZS 2918:2001

Keep these Instructions for further reference.....Ensure that you have the correct and current Installation details for the Warmington Fire

Installation

The Warmington unit is to be Installed by a Certified Warmington Installer or an Approved NZHHA Installation Technician.
See www.homeheat.co.nz/members for Certified NZHHA SFAIT Installer in your area .

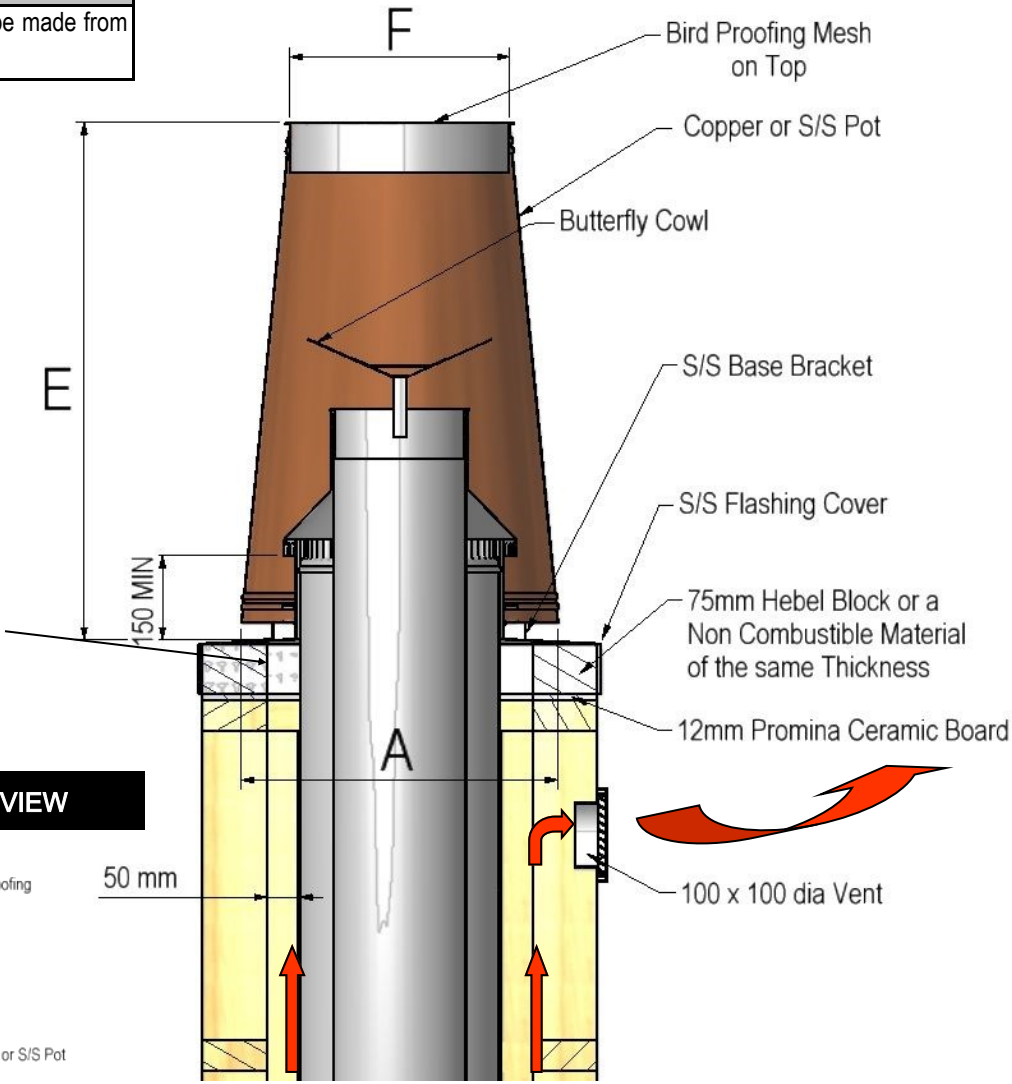
IMPORTANT

Read all the Instructions carefully before commencing the Installation. Failure to follow these Instructions may result in a Fire Hazard and void the Warranty

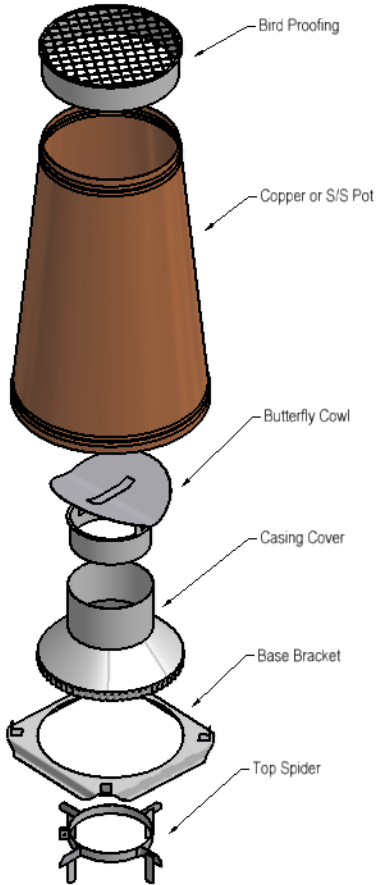
INSTALLATION OF COPPER OR S/S POT SECTION VIEW

Note:
ALL material above framing to be made from NON-COMBUSTIBLE material

Optional:
Chimney chase may be vented through spigot on the flashing.



POT ASSEMBLY EXPLODED VIEW



COPPER OR S/S POT SIZES

Pot sizes	Flue sizes	Flue with venting
small	150-200 dia	150-200 dia
medium	225-275 dia	200-250 dia
large	300-450 dia	250-300 dia
extra large	450 dia venting	300-450 dia

Description	S	M	L	XL	
Pot base dia	A	480	560	610	825
Pot total height	E	621	785	785	890
Pot top dia	F	330	375	430	530